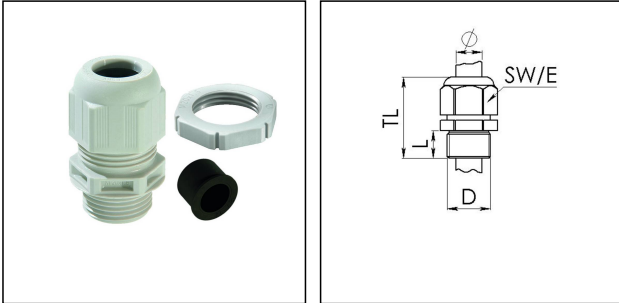


## GLP20+RDE grey



Products may differ in size, colour and appearance to those shown. If you require further information or customisation, please contact us directly.



<b>Material cable gland</b>	Polyamide
<b>Material sealing gasket</b>	EPDM
<b>Protection class</b>	IP68 (5 bar 30 min), IP69
<b>Temp. range min</b>	-40 °C
<b>Temp. range max</b>	100 °C
<b>Glow wire test</b>	750 °C
<b>Thread type</b>	M
<b>Ø Connection thread D</b>	20
<b>Lead</b>	1,5
<b>Length screw-in thread L</b>	10 mm
<b>Ø cable diameter min</b>	4 mm
<b>Ø cable diameter max</b>	14 mm
<b>Key width SW</b>	24 mm
<b>Collar diameter (E)</b>	27 mm
<b>Total length TL</b>	36 mm - 45 mm
<b>Type of cable anchorage</b>	A
<b>Install. torques fitting</b>	4 N/m
<b>Install. torques fitting/EADR</b>	3 N/m
<b>Install. torques cap nut</b>	3 N/m
<b>Advice</b>	With reduction insert
<b>Equipment</b>	incl. locknut
<b>Product Color</b>	RAL 7035
<b>Type</b>	GLP20+RDE grey
<b>UK-Number</b>	10100635
<b>WISKA-Order no.</b>	10100635

Your Contact:

**WISKA UK Ltd.**

Unit 7, Hurling Way · St. Columb Major Business Park · TR9 6SX, St. Columb Major, Cornwall · Great Britain

☎ +44-12-08816062 · 📠 +44-12-08816708

info@wiska.co.uk · www.wiska.co.uk

<b>Packing unit</b>	10
<b>Tariff number</b>	39269097
<b>EAN number</b>	4007685047784
<b>ETIM-Classification</b>	EC000441

## Recommended accessories

<b>EADR 20</b>	10062803
<b>BS 8</b>	10064006

20.05.2024

Your Contact:

**WISKA UK Ltd.**

Unit 7, Hurling Way · St. Columb Major Business Park · TR9 6SX, St. Columb Major, Cornwall · Great Britain

☎ +44-12-08816062 · 📠 +44-12-08816708

info@wiska.co.uk · www.wiska.co.uk



Your Contact:

**WISKA UK Ltd.**

Unit 7, Hurling Way · St. Columb Major Business Park · TR9 6SX, St. Columb Major, Cornwall · Great Britain

☎ +44-12-08816062 · 📠 +44-12-08816708

info@wiska.co.uk · www.wiska.co.uk