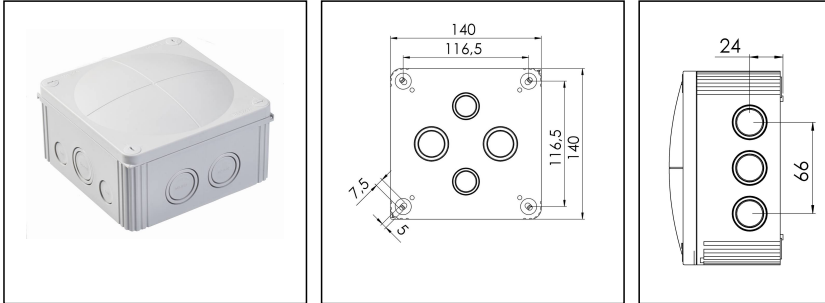
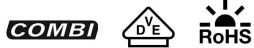



## COMBI 1010 LG

Junction box, polypropylene



Products may differ in size, colour and appearance to those shown. If you require further information or customisation, please contact us directly.



|                                     |   |
|-------------------------------------|---|
| <b>Material</b>                     | Polypropylene   |
| <b>Material sealing gasket</b>      | TPE   |
| <b>Temp. range min</b>              | -30 °C  |
| <b>Temp. range max</b>              | 100 °C  |
| <b>Temperatures during install.</b> | -5 °C - 60 °C   |
| <b>Protection class</b>             | IP66 / IP67   |
| <b>Glow wire test</b>               | 750 °C  |
| <b>Voltage</b>                      | 690 V   |
| <b>Rated cross section</b>          | 10 mm <sup>2</sup>  |
| <b>Fixing</b>                       | 4 internal openings   |
| <b>Ø cable diameter min</b>         | 6 mm  |
| <b>Ø cable diameter max</b>         | 21 mm   |
| <b>External dimensions LxWxH</b>    | 140 x 140 x 82mm  |
| <b>Using for cable gland</b>        |  |
| <b>Product Color</b>                | RAL 7035  |
| <b>WISKA-Order no.</b>              | 10060702  |
| <b>Type</b>                         | COMBI 1010 LG   |
| <b>Packing unit</b>                 | 2   |
| <b>EAN number</b>                   | 4007685607025   |
| <b>Tariff number</b>                | 39269097  |
| <b>ETIM-Classification</b>          | EC002600  |

Remarks:

IP66: using the QUIXX self sealing membrane screw

IP67: using the knockout entry together with ESKV cable gland

Your Contact:

**WISKA UK Ltd.**

Unit 7, Hurling Way · St. Columb Major Business Park · TR9 6SX, St. Columb Major, Cornwall · Great Britain

☎ +44-12-08816062 · 📠 +44-12-08816708

info@wiska.co.uk · www.wiska.co.uk

**Equipment:**

- 10 knockouts side 5x M25/M32; 2x M20; 3x M20/M25
- 4 knockouts in the bottom 2x M25/M32; 2x M20/M25
- 4 captive cover screws
- including QUIXX EMS self-sealing membrane screw 2x M25; 1x M32

**Mounting:**

4 internal openings outside of the sealing area

**Recommended accessories**

|                                       |          |
|---------------------------------------|----------|
| DIN Rail Kit - COMBI 1010/TS35        | 10060363 |
| MP-L Mounting plate large COMBI / WHK | 10105775 |
| External mounting - COMBI LG          | 10108836 |
| SP-HKT 1010 Terminal block            | 22000408 |

30.05.2024

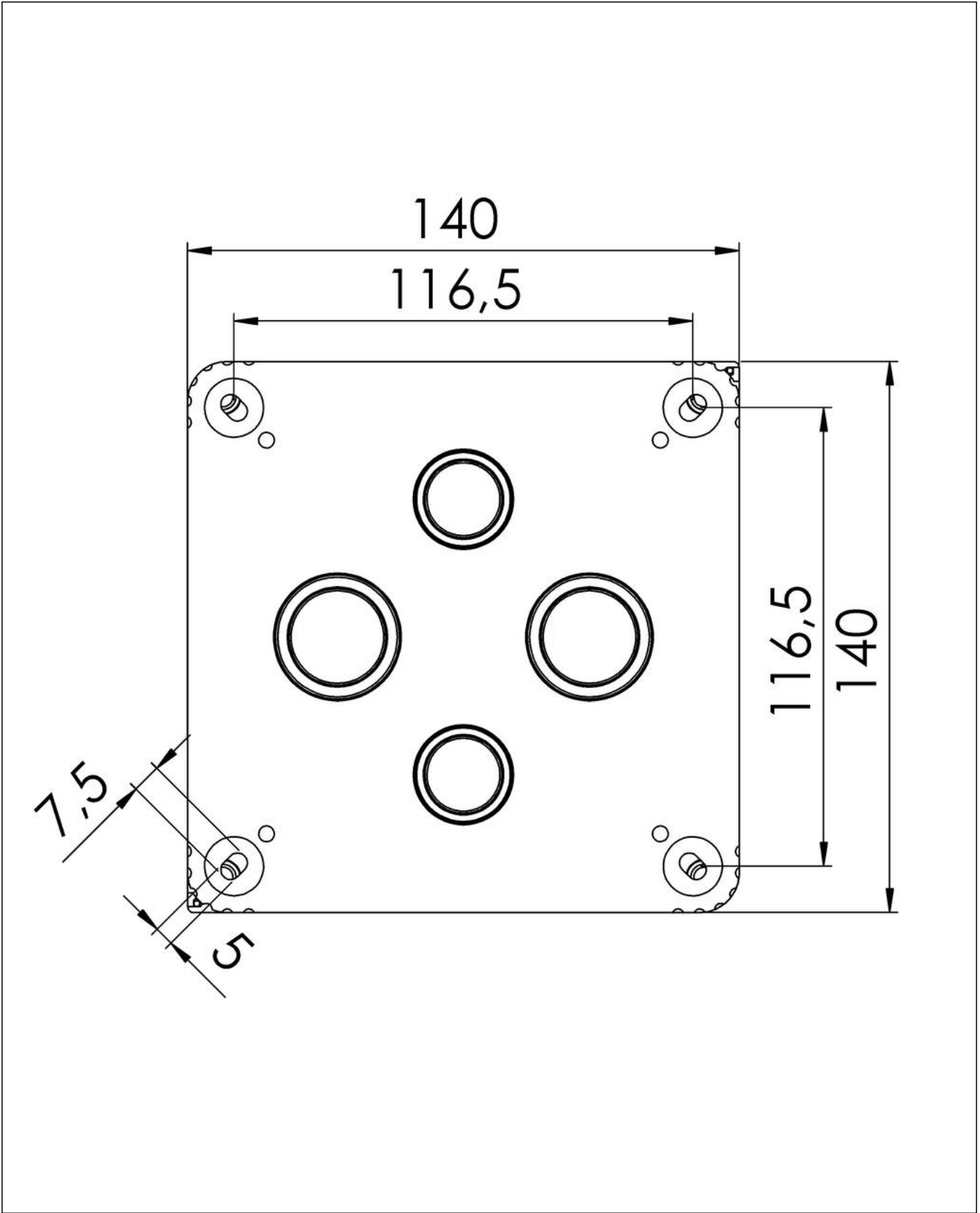
**Your Contact:**

**WISKA UK Ltd.**

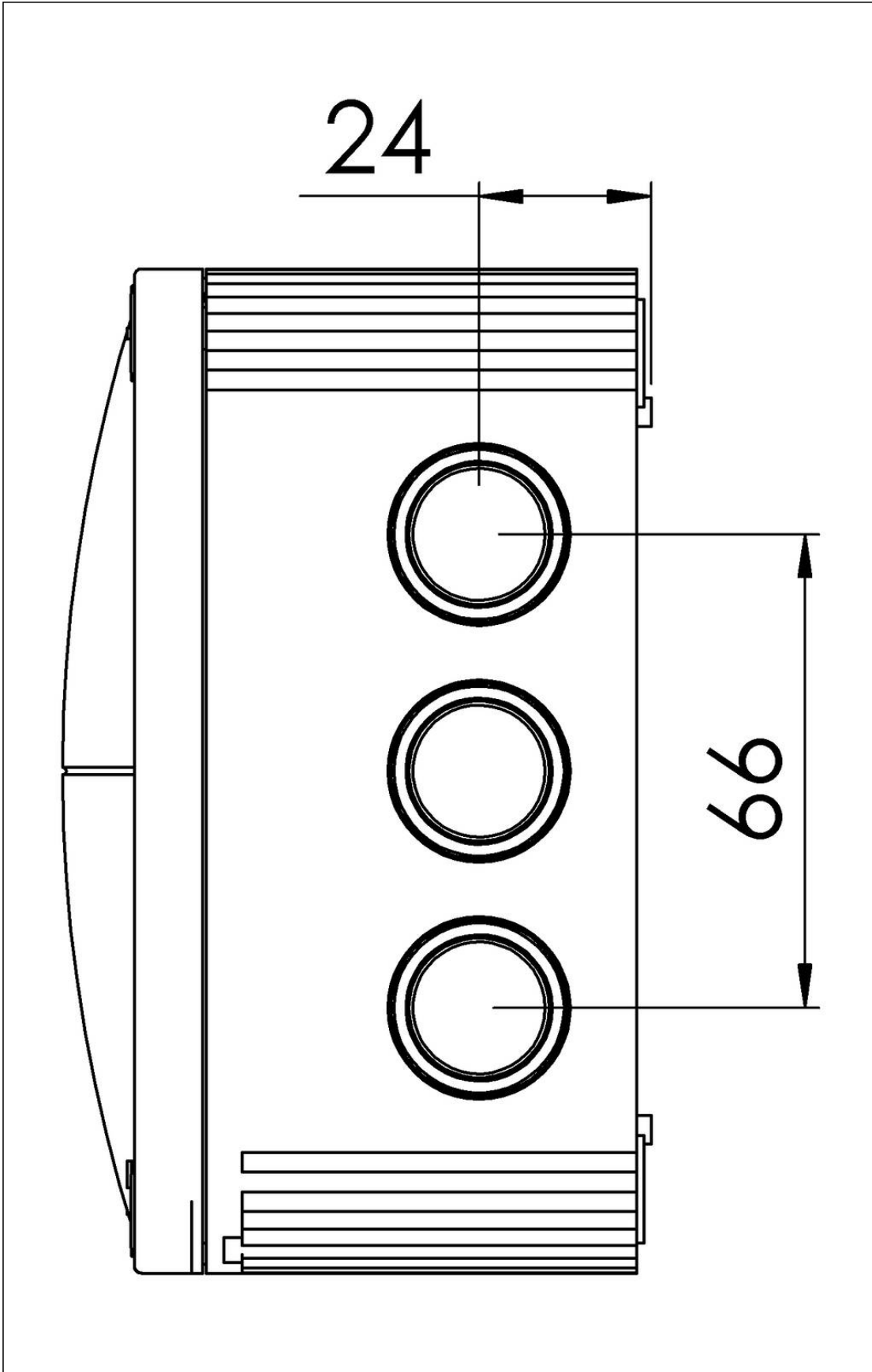
Unit 7, Hurling Way · St. Columb Major Business Park · TR9 6SX, St. Columb Major, Cornwall · Great Britain

☎ +44-12-08816062 · 📠 +44-12-08816708

info@wiska.co.uk · www.wiska.co.uk



Your Contact:  
**WISKA UK Ltd.**  
Unit 7, Hurling Way · St. Columb Major Business Park · TR9 6SX, St. Columb Major, Cornwall · Great Britain  
☎ +44-12-08816062 · 📠 +44-12-08816708  
info@wiska.co.uk · www.wiska.co.uk



Your Contact:

**WISKA UK Ltd.**

Unit 7, Hurling Way · St. Columb Major Business Park · TR9 6SX, St. Columb Major, Cornwall · Great Britain

☎ +44-12-08816062 · 📠 +44-12-08816708

info@wiska.co.uk · www.wiska.co.uk